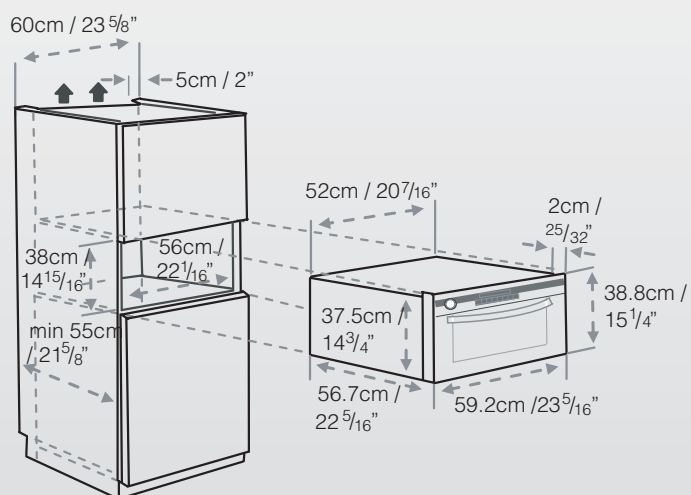


[ STEAM OVEN – KB 9820 E-M ]



**ELECTRICAL REQUIREMENT:**

208/230 Volt 60Hz

15 AMP / 1600w

**Unit Dims:** 38.8cm H x 59.2cm W x 56.7cm D

15 1/4" H x 23 5/16" W x 22 5/16" D

**Cut-outs:** 38cm H x 56cm W x 55cm D

14 15/16" H x 22 1/16" W x 21 5/8" D